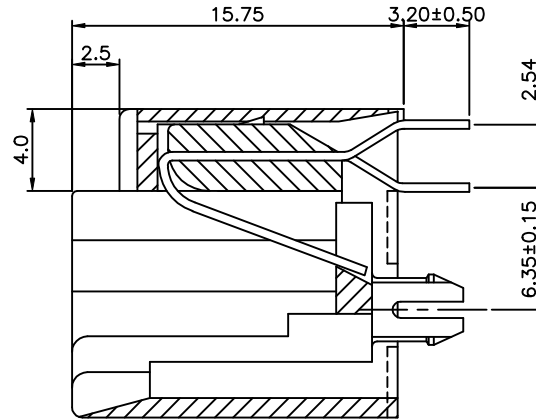
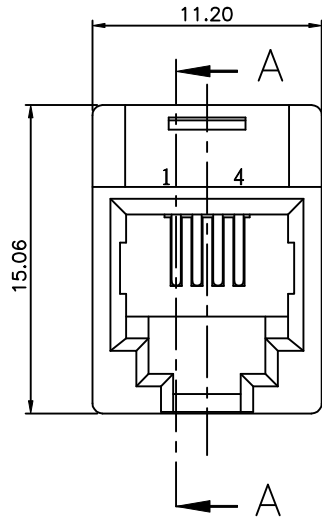
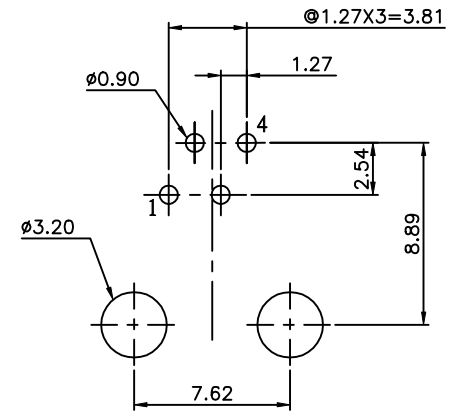
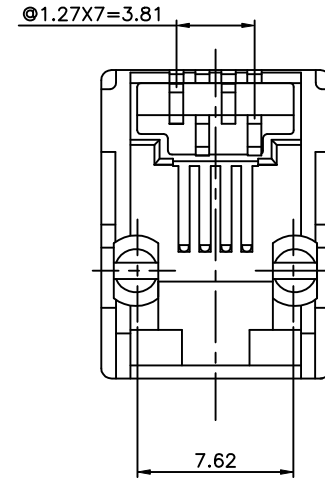


REVISION RECORD				
REV	ECO	DESCRIPTION	DRFT	CHKD
△		DESIGN MODIFY	CZH 2/12/2002	
△		ADD PART NO	WJ 6/06/2002	
△		NOTES MODIFY	APENG 10/22/08	



SECTION A-A



PCB LAYOUT

NOTES:

ELECTRICAL:

- VOLTAGE RATING : 125 VAC RMS.
- CURRENT RATING : 1.5 AMP.
- CONTACT RESISTANCE : 30 MILLIOHMS MAX.
- INSULATION RESISTANCE: 500 MEGOHMS MIN @ 500 VDC.
- DIELECTRIC STRENGTH : 1000 VAC RMS 60Hz, 1MIN.

MECHANICAL:

- HOUSING MATERIAL : GLASS FILLED POLYESTER UL94V-0.
- CONTACT MATERIAL : PHOSPHOR BRONZE t=0.35mm.
- PLATING : GOLD PLATING OVER NICKEL.
- OPERATING LIFE : 750 CYCLES MIN.
- PCB RETENTION PRE-SOLDER : 1 LB MIN.
- PCB RETENTION POST-SOLDER: 10 LBS MIN.

ENVIRONMENTAL:

- STORAGE : -40°C TO +85°C.
 - OPERATION: -40°C TO +85°C.
- MATES WITH MODULAR PLUG CONFORMING TO
FCC PART 68, SUBPART F.
CUL FILE NO. E163191
PART NUMBER: E5244-700X4X

- | | |
|---------------|---------|
| 1- 3u" | 2- 6u" |
| 3- 15u" | 4- 30u" |
| 5- 50u" | |
| △ 0--A06-0100 | |
| △ 4--A06-0110 | |
| 6--A06-0350 | |

MM (INCH)		DFTO SYANG	DATE 3/31/98	FULL RISE ELECTRONIC CO., LTD	
TOLERANCES EXCEPT AS NOTED		CHKD SAMMY	DATE 2004/11/18	TITLE RJ11 TOP ENTRY PCB MOLDING JACK (DIP TYPE)	
		MFO	DATE		
DETAILED LISTS		APPVLUSHENG	DATE 2004/11/18	DRAWING NO. GE523043	
MM		MATERIAL :		SIZE A3	REV 3
.0 ± 0.2	±	FINISH :		DO NOT SCALE DRAWING	
.00 ± 0.15	±	SCALE : 4:1		SHEET OF	
.000 ± 0.075	±	THIRD ANGLE PROJECTION			
ANGLES ± 0.5		QT'Y :			